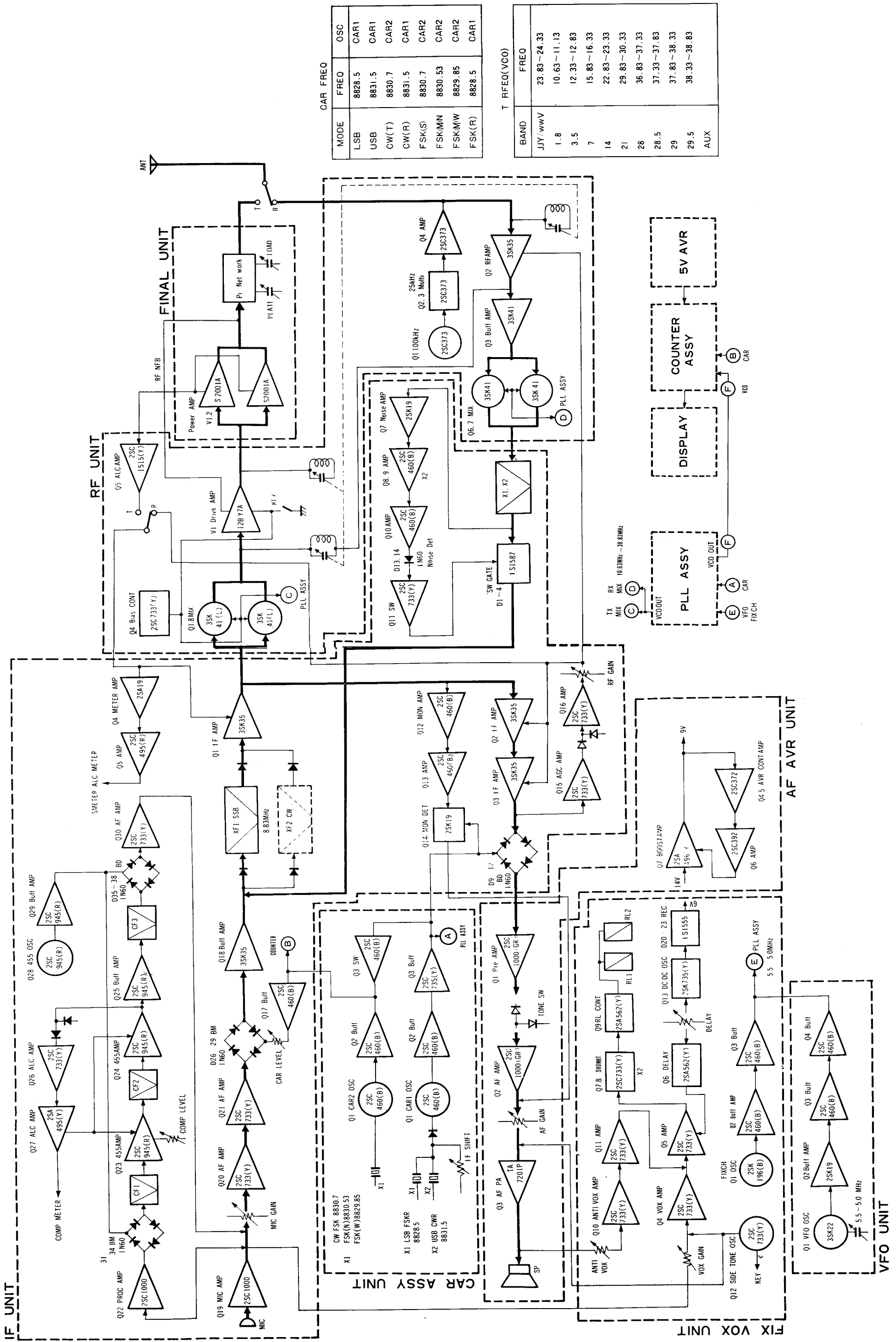


# TS-820 BLOCK DIAGRAM



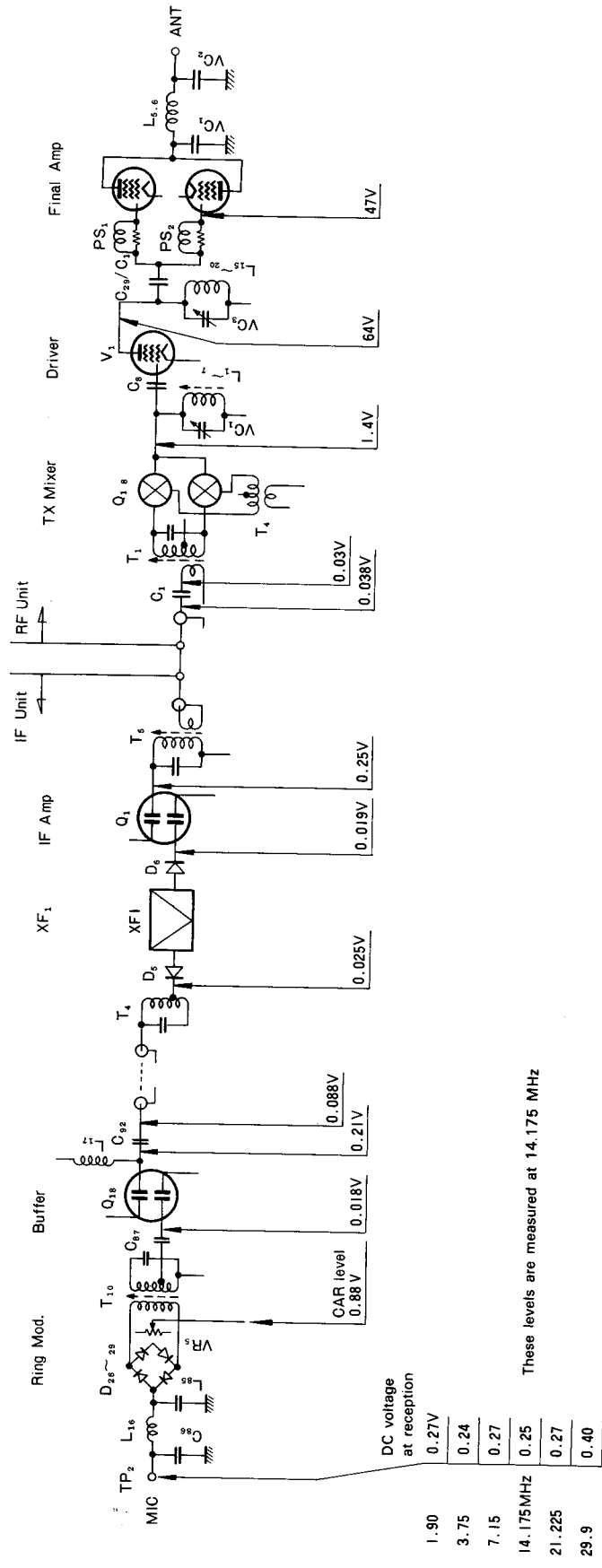


# LEVEL DIAGRAM

## TRANSMITTER SECTION

MOD: CW  
 SG: OFF  
 Adjust CAR LEVEL for maximum indication of the ALC meter and measure signal level at each point.

**NOTE:**  
 When SG = ON, the level preceding the driver stage increases because of RF NFB.



## RECEIVER SECTION

MODE: CW  
 AGC: OFF  
 RF Gain: MAX

1. Apply the SSG signal (0 dBμ at 14.175 MHz) to ANT terminal. Adjust AF GAIN for 0.63V/8Ω AF output and keep it's position.
2. Connect SSG to each point and adjust SSG output for 0.63V/8Ω AF output. Next read out SSG output in dBμ. (50Ω SSG load open circuit voltage.)
3. In other band, measure the level in the same way.

